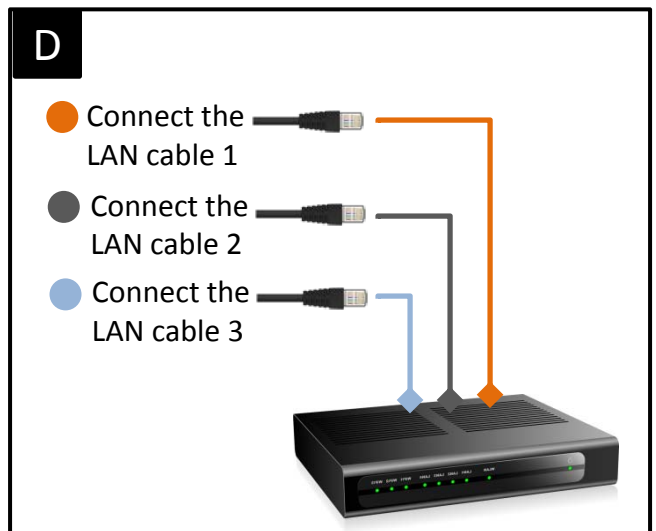
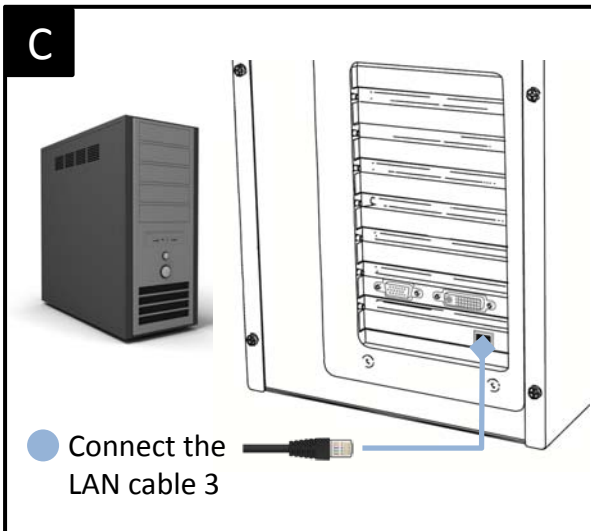
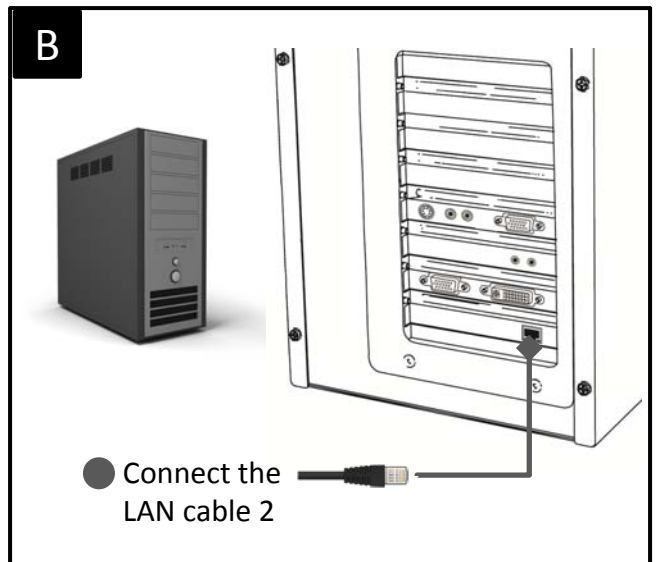
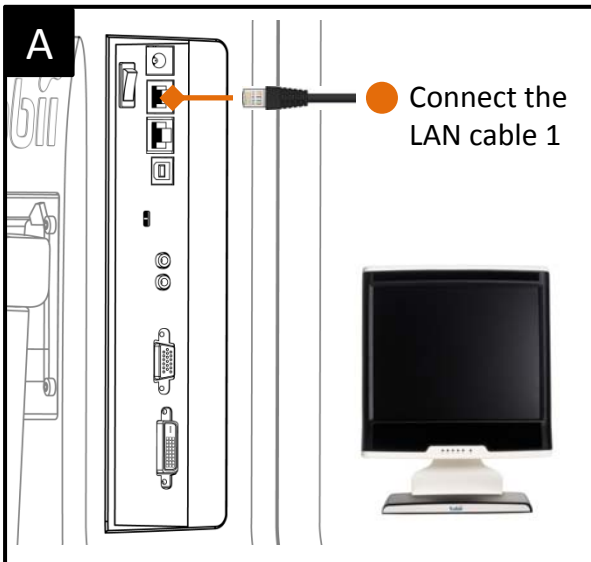
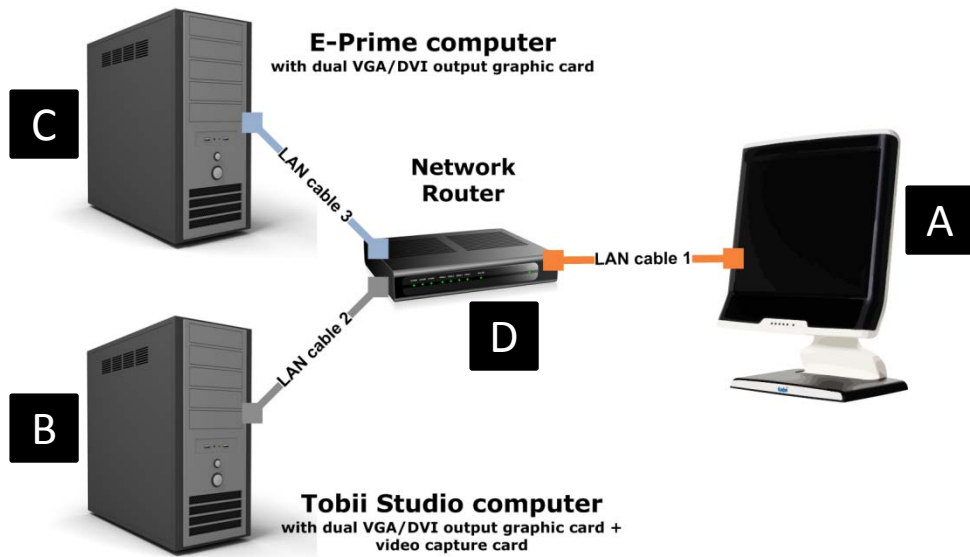
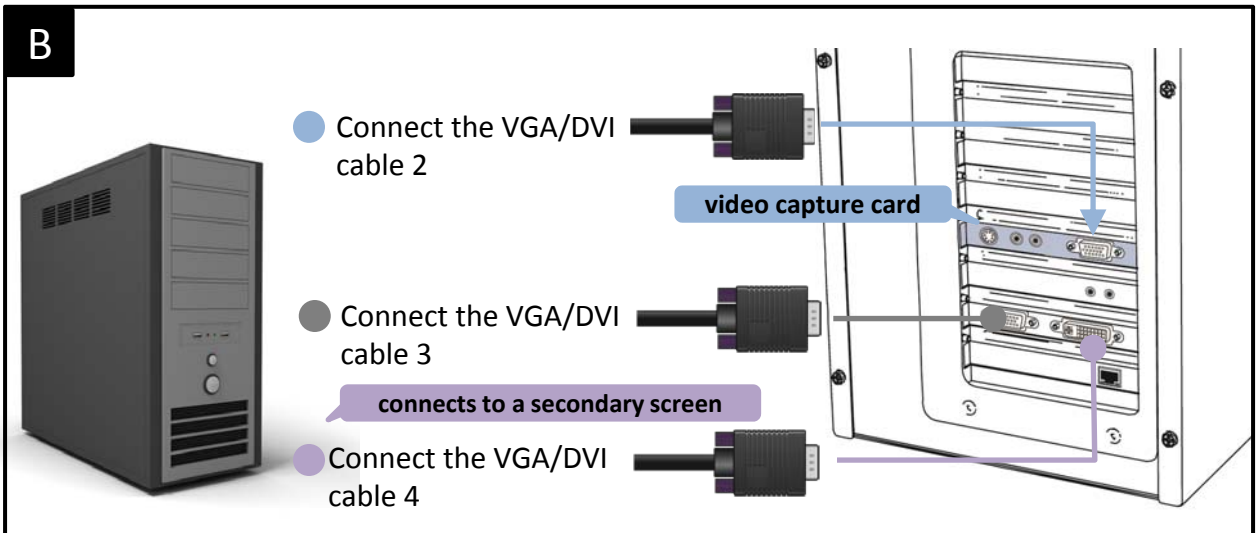
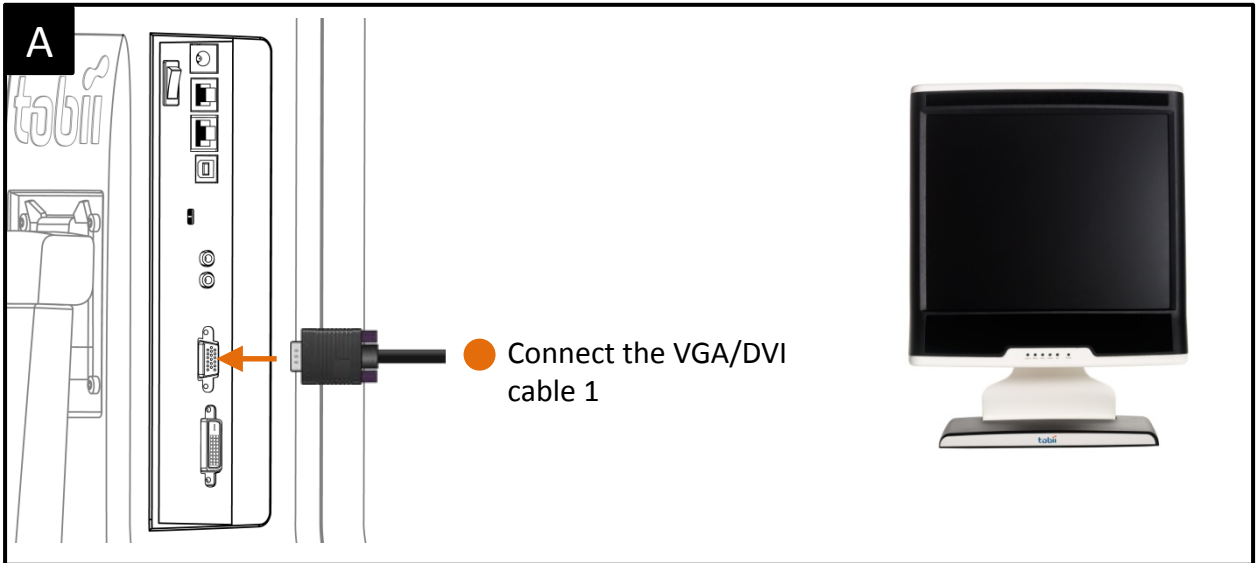
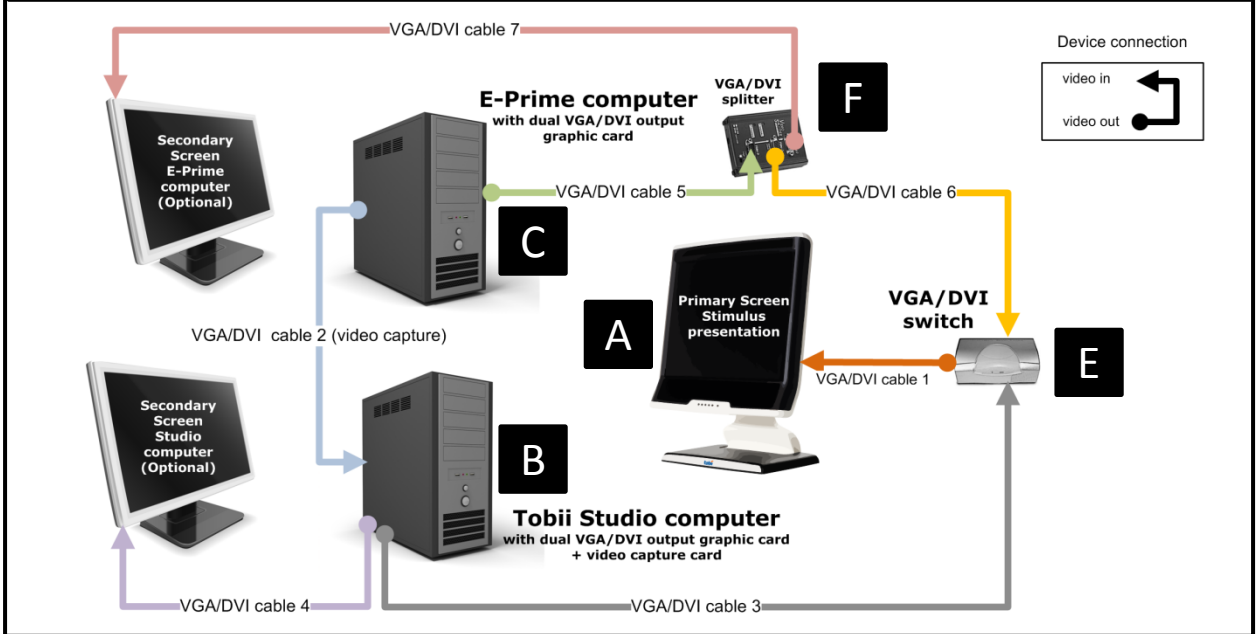
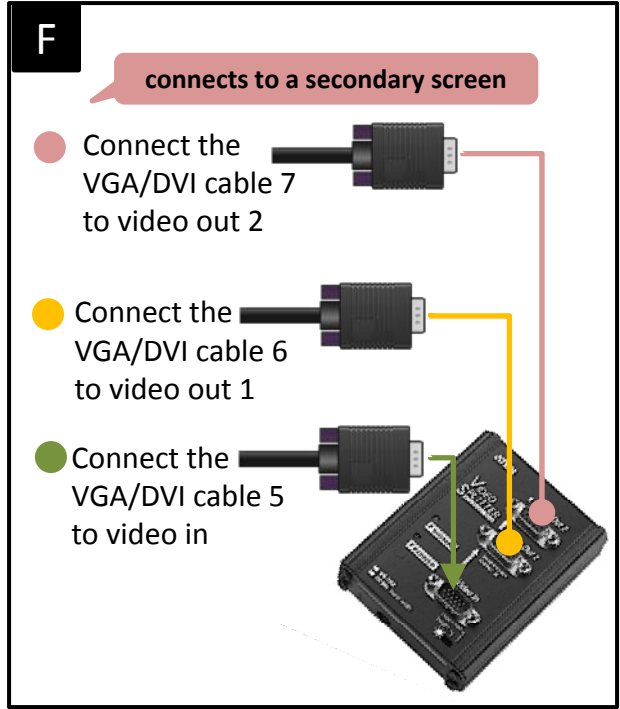
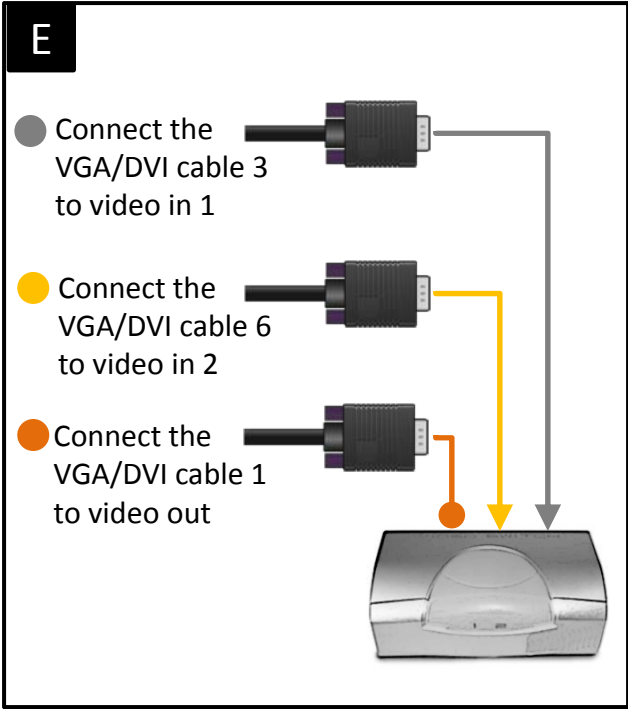
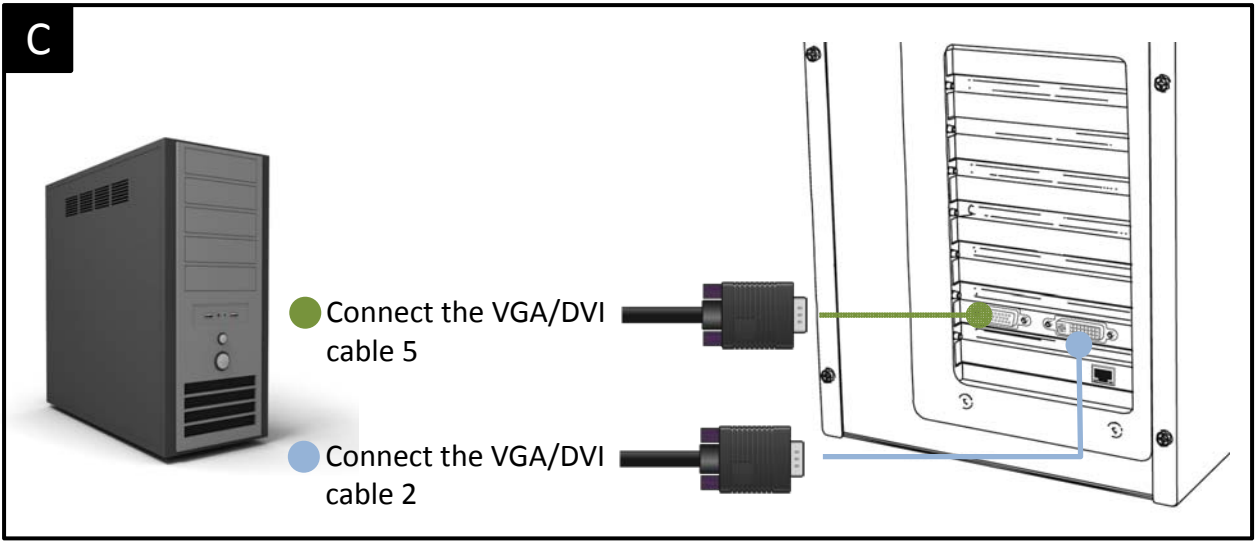


Step 1: Eye tracker and computer communication setup



Step 2: Eye tracker and computer display setup





Display connections and cables: VGA and DVI

